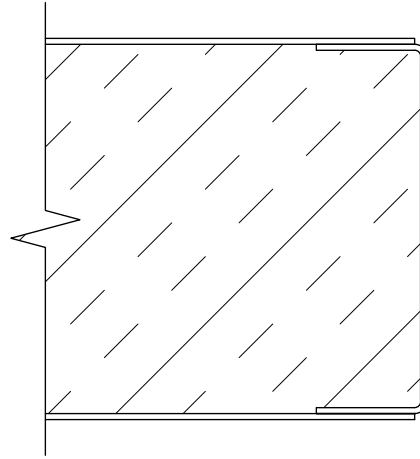


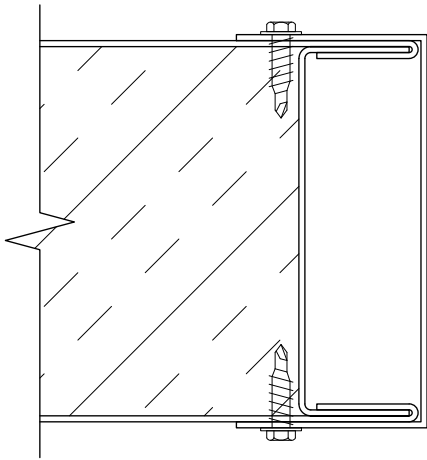
STD BLANK

STANDARD SHOP CUT PANEL
OPENING - CUTOUT EDGE WITH
SHOP INSTALLED INTERIOR
BLANKING



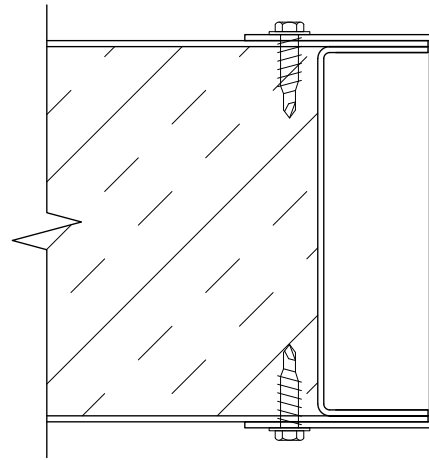
REVERSE BLANK

CUTOUT EDGE WITH
SHOP OR FIELD TACK WELD BLANKING



CAP CHANNEL

UNCUT PANEL EDGE
WITH FIELD INSTALLED CAP CHANNEL
TEK SCREWED



STD BLANK / CAP CHANNEL

SHOP CUT STD BLANK WITH
FIELD INSTALLED CAP CHANNEL
TEK SCREWED

GEORGE KOCH SONS, LLC
 EVANSVILLE, IN 47712

This drawing intellectual property of
 GEORGE KOCH SONS, LLC.



Title BLANKING STYLES - EDGE TREATMENT

Class INSULATED PANEL

File Name AA-15

Date 12-04-07

By TAP