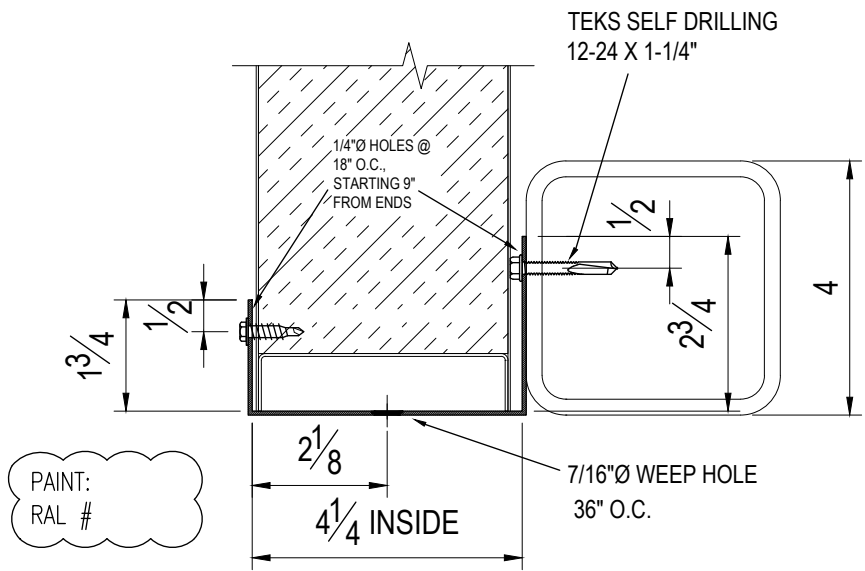


JC1- J CHANNEL
 18 GA GALVANNEALED X 144" LG



NOTE: J CHANNEL FLUSH TO BOTTOM OF TUBE

JC1- J CHANNEL
 18 GA GALVANNEALED X 144" LG
 ELEVATION

GEORGE KOCH SONS, LLC
 EVANSVILLE, IN 47712

This drawing intellectual property of
 GEORGE KOCH SONS, LLC.



Title	J CHANNEL DETAIL		
Class	ACOUSTIC BARRIER		
File Name	AB-03	Date	11-29-07
		By	TAP