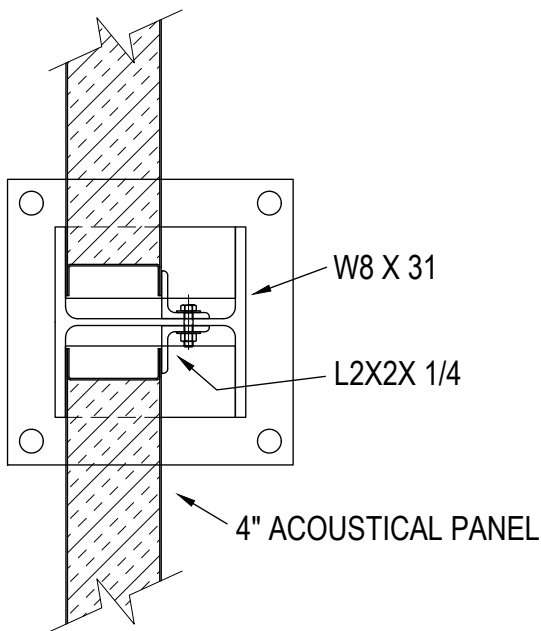
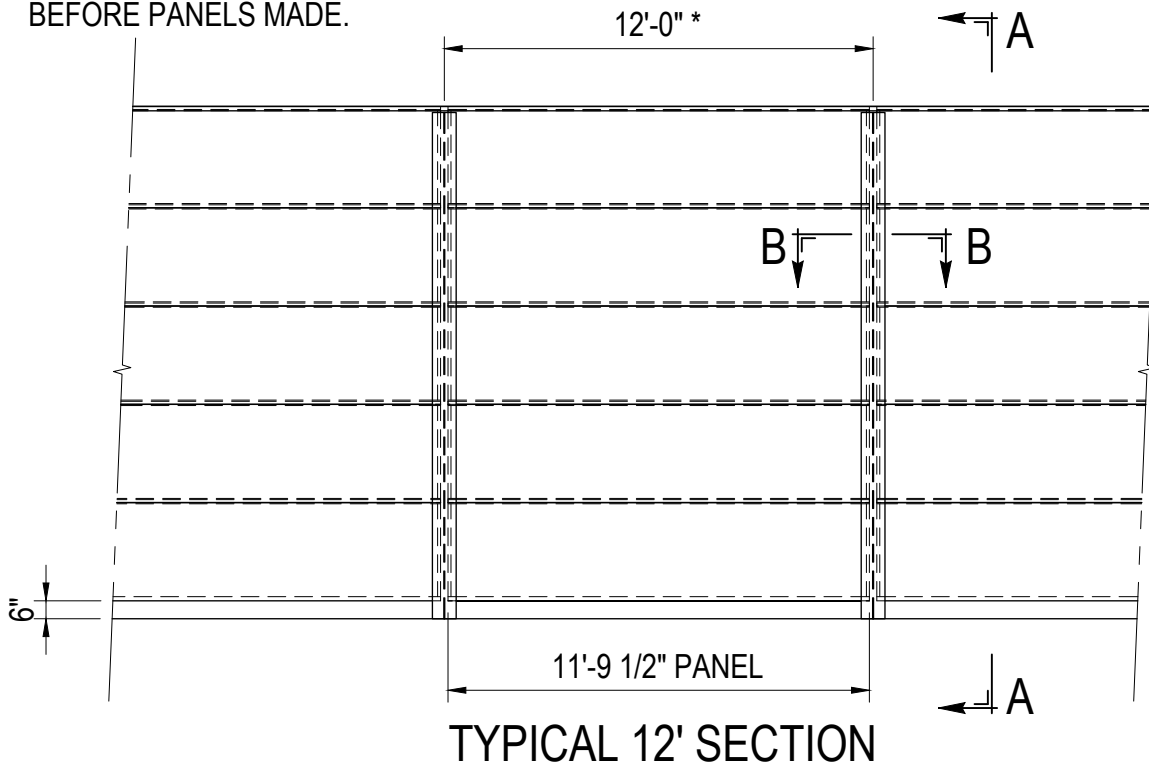
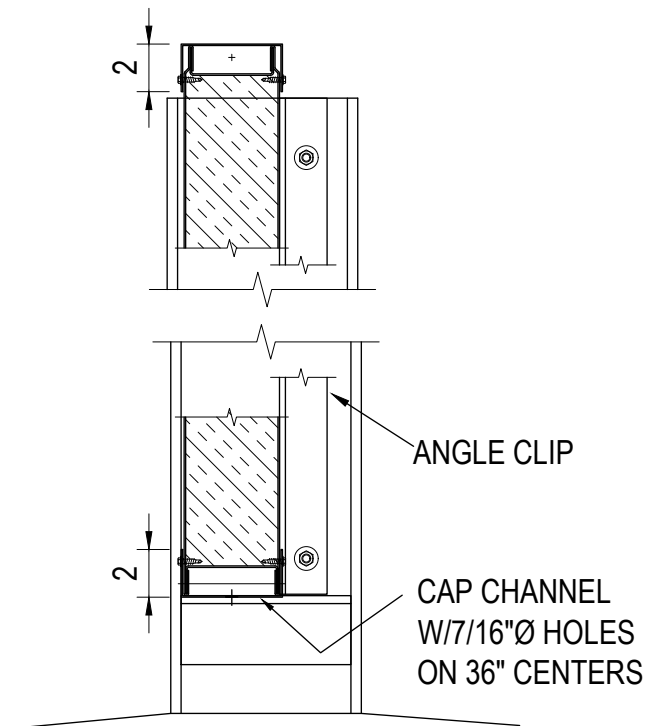


* PANELS HORIZONTAL BETWEEN COLUMNS
 STEEL DIMENSIONS MUST BE VERIFIED
 BEFORE PANELS MADE.



SECTION B-B



SECTION A-A

GEORGE KOCH SONS, LLC
 EVANSVILLE, IN 47712

This drawing intellectual property of
 GEORGE KOCH SONS, LLC.



Title	HORIZONTAL PANEL WALL		
Class	ACOUSTIC BARRIER		
File Name	AB-24	Date	2-10-2010
		By	TAP