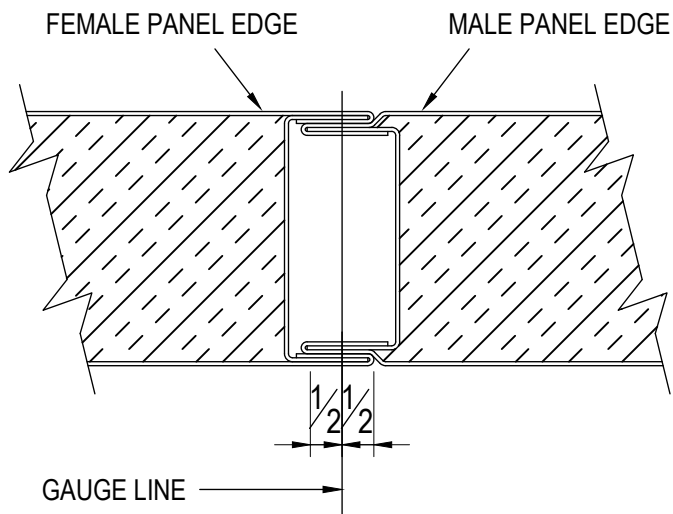


TYPICAL PANEL JOINT



TYPICAL PANEL JOINT

GEORGE KOCH SONS, LLC  
EVANSVILLE, IN 47712

This drawing intellectual property of  
GEORGE KOCH SONS, LLC.



Title TONGUE & GROOVE INSULATED PANEL JOINT

Class INSULATED PANEL

File Name AA-02

Date 11-29-07

By TAP