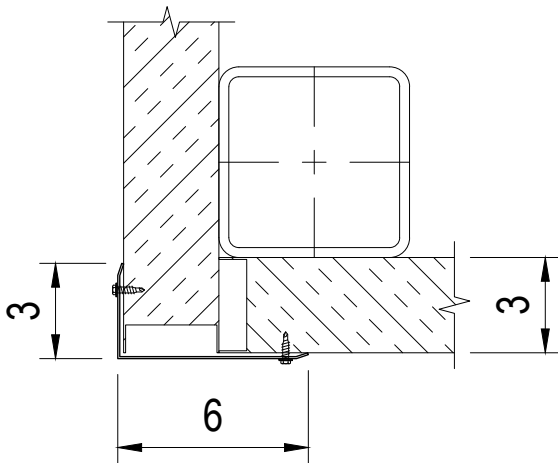


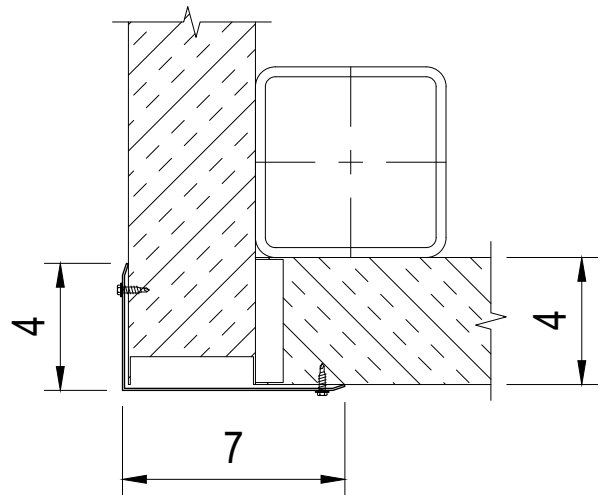
WALL TERMINATION DETAIL

18 GA GALVANNEALED X 144" LG



3" CORNER DETAIL

OVERLAPPING PANELS



4" CORNER DETAIL

OVERLAPPING PANELS

PLAN VIEW

CORNER FLASHING X 144" LG

18GA GALVANNEALED POWDER COAT

GEORGE KOCH SONS, LLC
EVANSVILLE, IN 47712

This drawing intellectual property of
GEORGE KOCH SONS, LLC.



Title	CORNER FLASHING 3" AND 4" PANELS		
Class	ACOUSTIC BARRIER		
File Name	AB-06	Date	11-29-07
		By	TAP