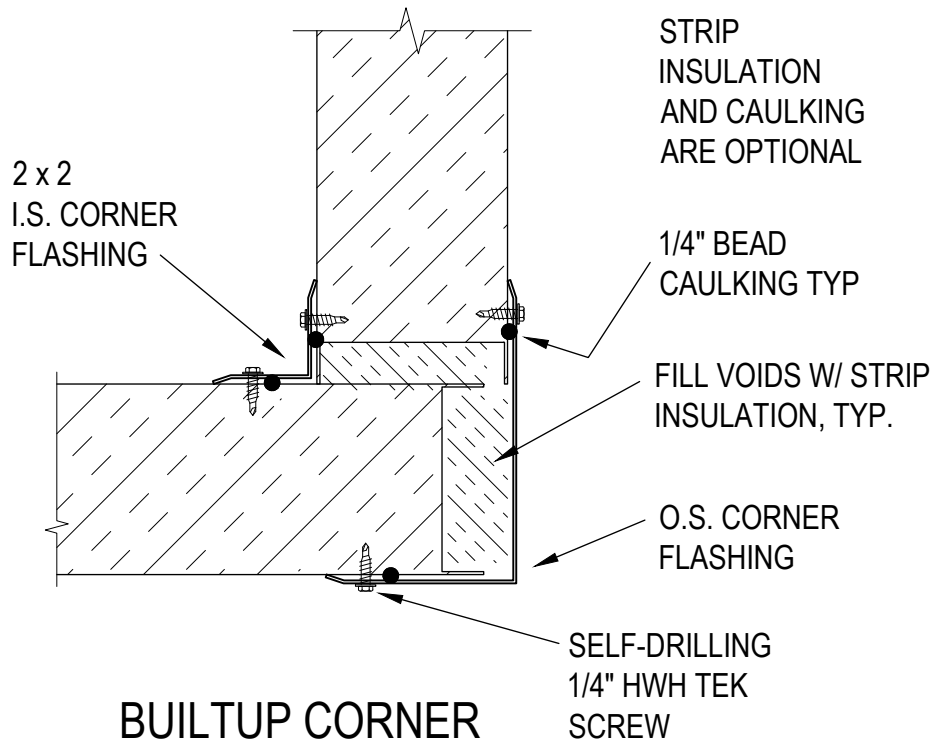


**SHOP FORMED CORNER PANEL**



**BUILTUP CORNER**

GEORGE KOCH SONS, LLC  
EVANSVILLE, IN 47712

This drawing intellectual property of  
GEORGE KOCH SONS, LLC.



Title	CORNER OPTIONS		
Class	ACOUSTIC PANEL		
File Name	AC-11	Date	11-29-07
		By	TAP