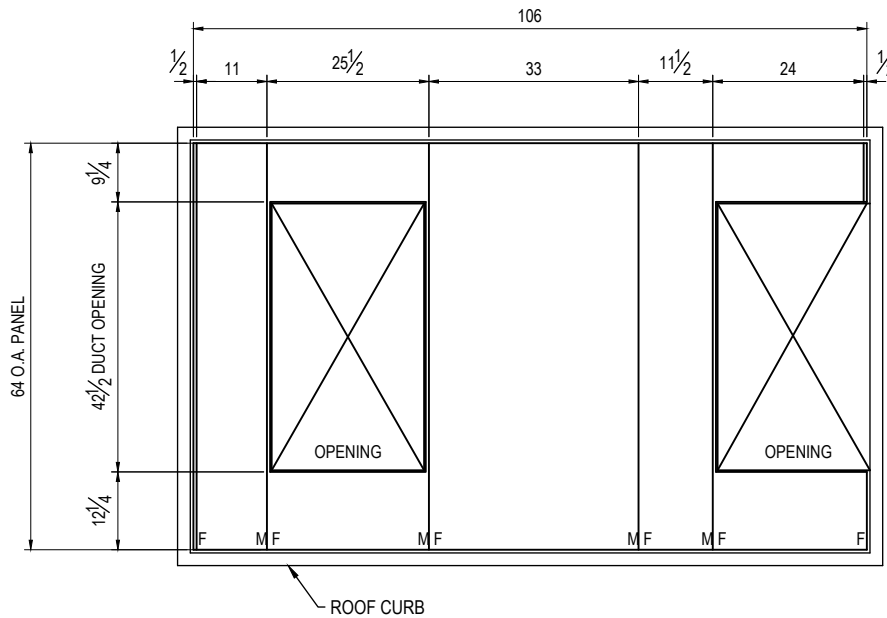


KOCH ACOUSTICAL PANEL SUPPORT DETAIL
AT TOP AND BOTTOM OF CURB



TYPICAL ROOF CURB PANEL LAYOUT
PLAN VIEW

DIMENSIONS VARY PER
HVAC UNIT AND ROOF CURB
ARRANGEMENTS

GEORGE KOCH SONS, LLC
EVANSVILLE, IN 47712

This drawing intellectual property of
GEORGE KOCH SONS, LLC.



Title		KOCH ACOUSTICAL BARRIER SYSTEM FOR HVAC ROOF CURB	
Class		ACOUSTIC PANEL	
File Name	AC-15	Date	1/21/2010
		By	M. BAER