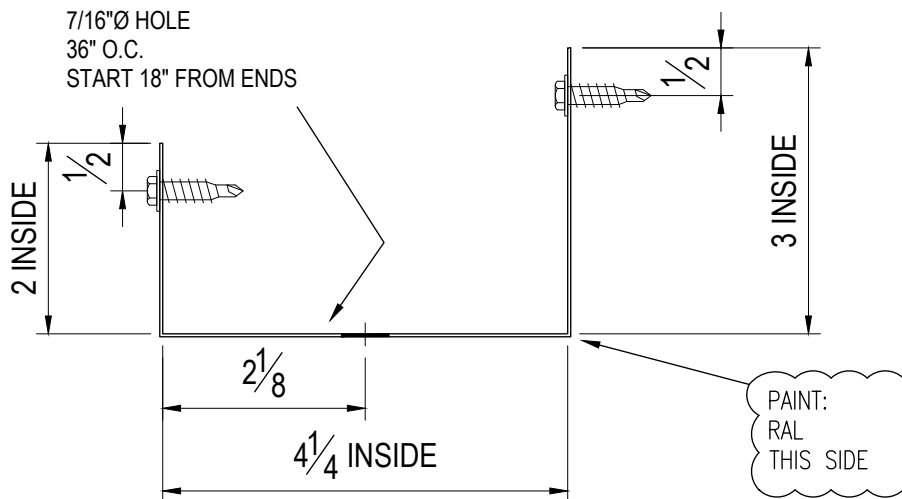
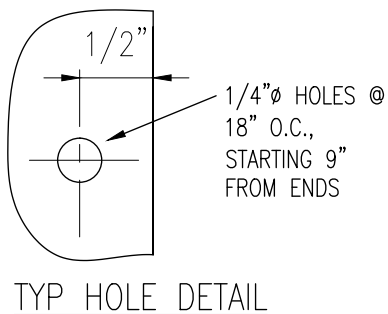


JC1 - 3" J-CHANNEL - (X) REQD

18 GA GALVANNEALED X 144" LG



JC1 - 4" J-CHANNEL - (X) REQD

18 GA GALVANNEALED X 144" LG

GEORGE KOCH SONS, LLC
EVANSVILLE, IN 47712

This drawing intellectual property of
GEORGE KOCH SONS, LLC.



Title	J-CHANNEL		
Class	ACOUSTIC FLASHING		
File Name	AF-03	Date	11-29-07
		By	TAP