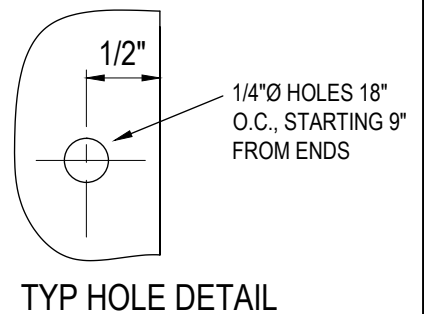
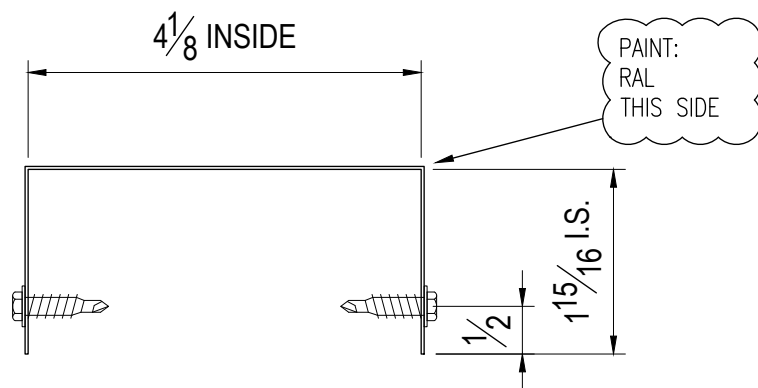
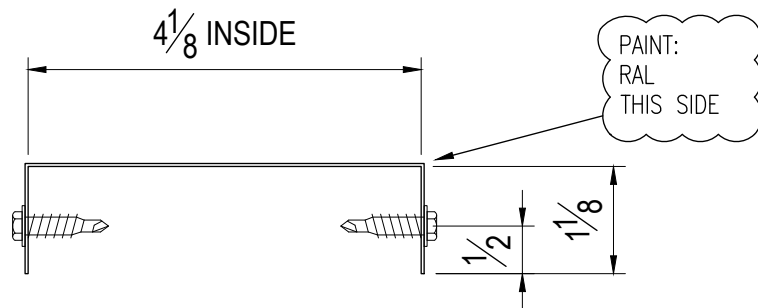


CC1 - 3" CAP CHANNEL - (X) REQD

18 GA GALVANNEALED X 144" LG



CC1 - 4" CAP CHANNEL - (X) REQD

18 GA GALVANNEALED X 144" LG

GEORGE KOCH SONS, LLC
EVANSVILLE, IN 47712

This drawing intellectual property of
GEORGE KOCH SONS, LLC.



Title CAP CHANNEL 3"- 4"

Class ACOUSTIC FLASHING

File Name AF-05

Date 11-29-07

By TAP